



# Installation instructions, accessories

Volvo Car Corporation Gothenburg, Sweden

Instruction No	Version	Part. No.
31428877	1.3	39846942, 39846932, 39846936, 39846938, 39846939, 39846947, 39846941, 39846933, 39846943, 39846944, 39846945, 39846940, 39846935

## Spoiler, front



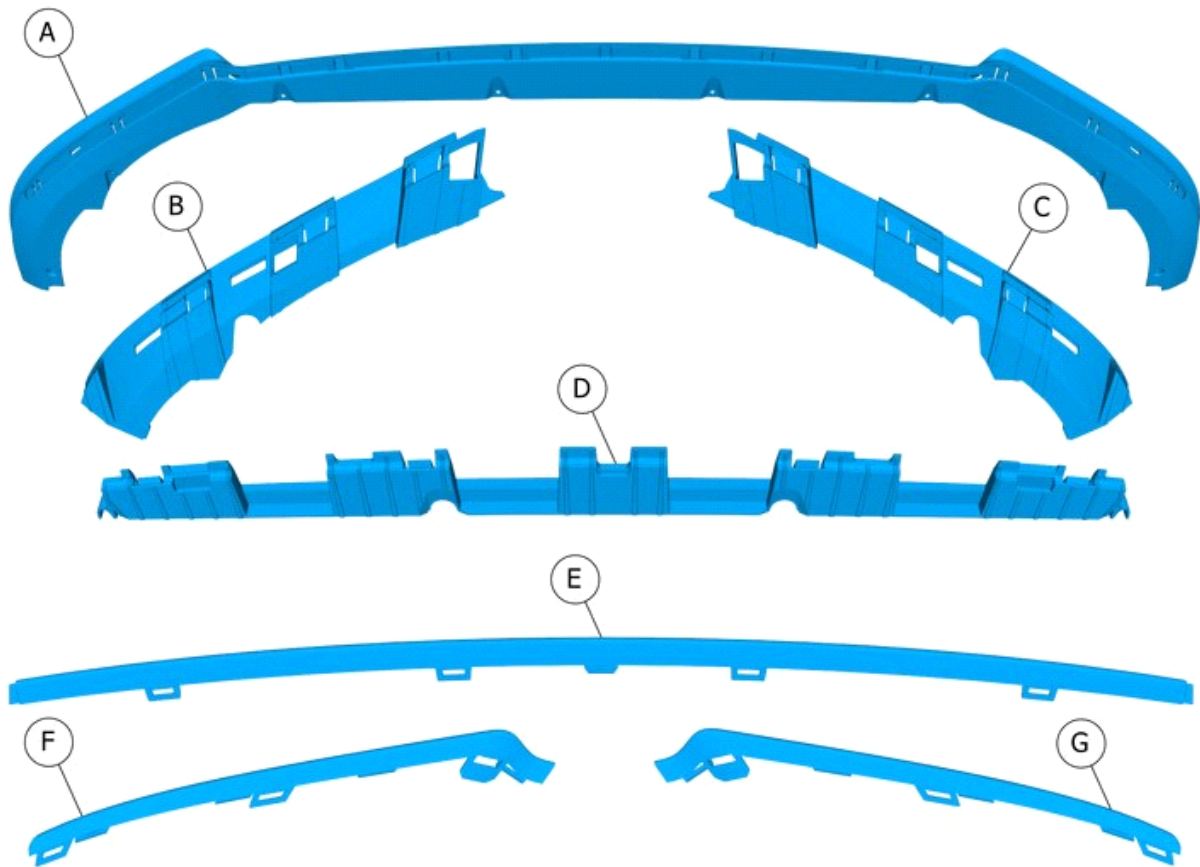
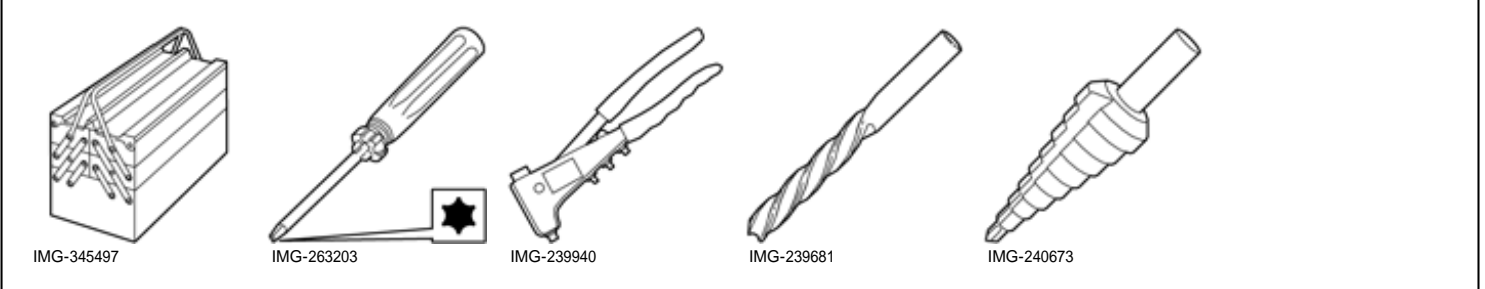
# Installation instructions, accessories

Volvo Car Corporation Gothenburg, Sweden

## Materials

Designation	Part number
Isopropanol	1161721

## Equipment

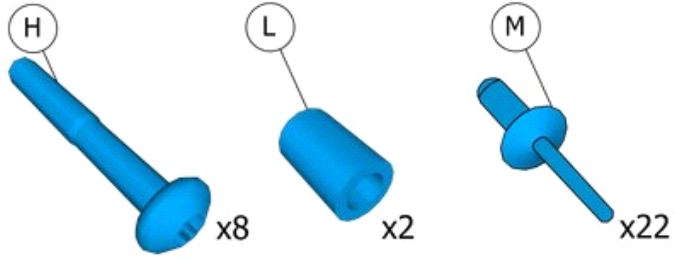


IMG-415825



# Installation instructions, accessories

Volvo Car Corporation Gothenburg, Sweden



IMG-415829



# Installation instructions, accessories

Volvo Car Corporation Gothenburg, Sweden

## Information

1

Read through all of the instructions before starting installation.

Notifications and warning texts are for your safety and to minimise the risk of something breaking during installation.

Ensure that all tools stated in the instructions are available before starting installation.

Certain steps in the instructions are only presented in the form of images. Explanatory text is also given for more complicated steps.

In the event of any problems with the instructions or the accessory, contact your local Volvo dealer.

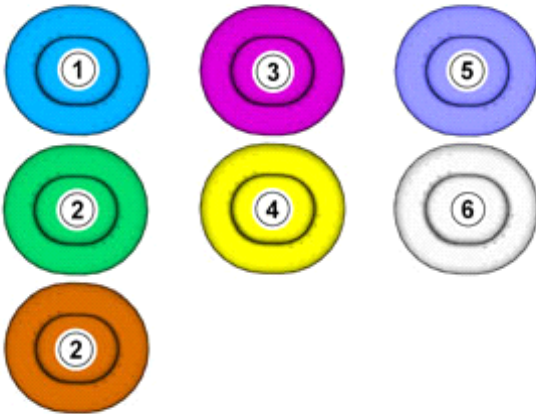
## Further information

2

After installation, the car must not be washed for 48 hours

## Color symbols

3



IMG-363036

### Note!

This colour chart displays (in colour print and electronic version) the importance of the different colours used in the images of the method steps.

- Used for focused component, the component with which you will do something.
- Used as extra colors when you need to show or differentiate additional parts.
- Used for attachments that are to be removed/installed. May be screws, clips, connectors, etc.
- Used when the component is not fully removed from the vehicle but only hung to the side.
- Used for standard tools and special tools.
- Used as background color for vehicle components.

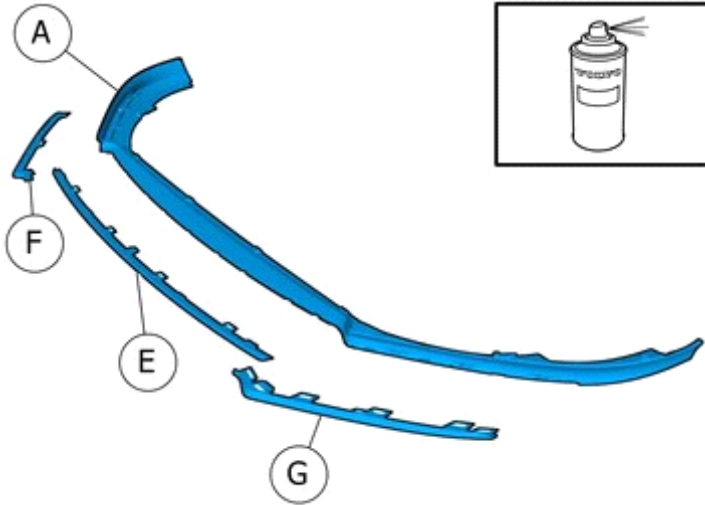
## Applies to unpainted component



# Installation instructions, accessories

Volvo Car Corporation Gothenburg, Sweden

4

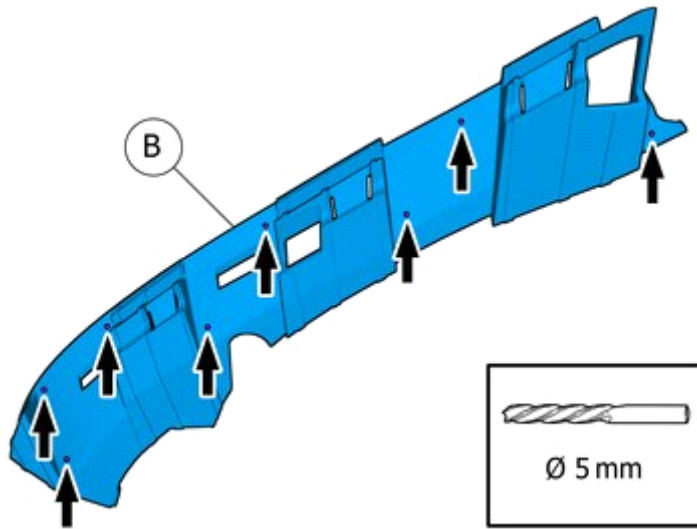


IMG-416151

All vehicles

## Preparation

5



IMG-415823

Locate relevant marking.

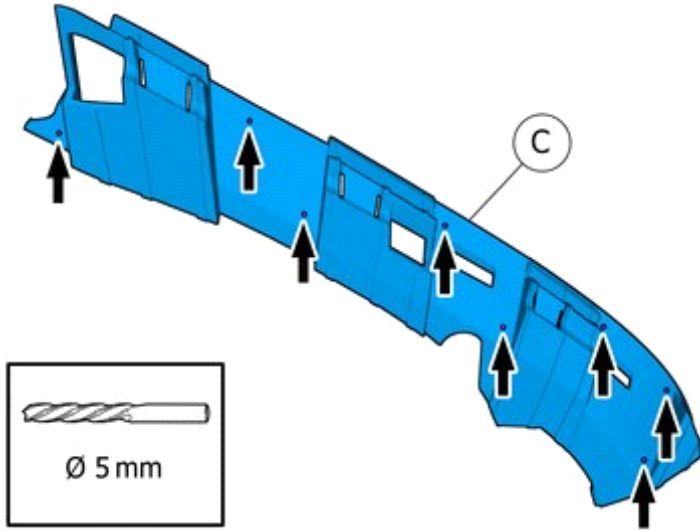
Use a drill with the stated size



# Installation instructions, accessories

Volvo Car Corporation Gothenburg, Sweden

6

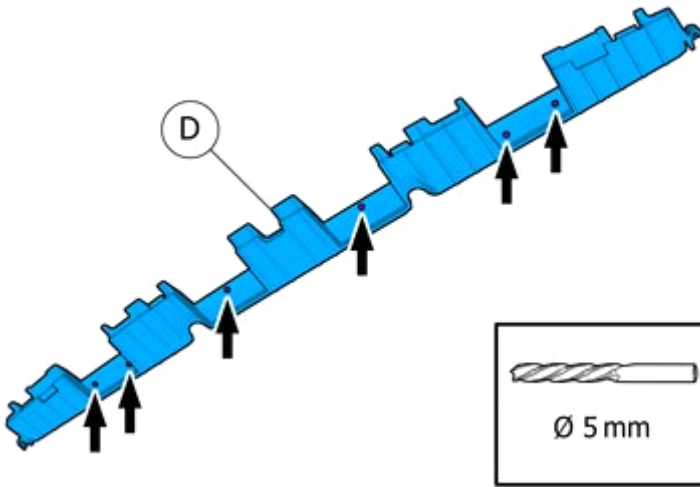


IMG-415824

Locate relevant marking.

Use a drill with the stated size

7



IMG-415822

Locate relevant marking.

Use a drill with the stated size

## Removal

8

### Note!

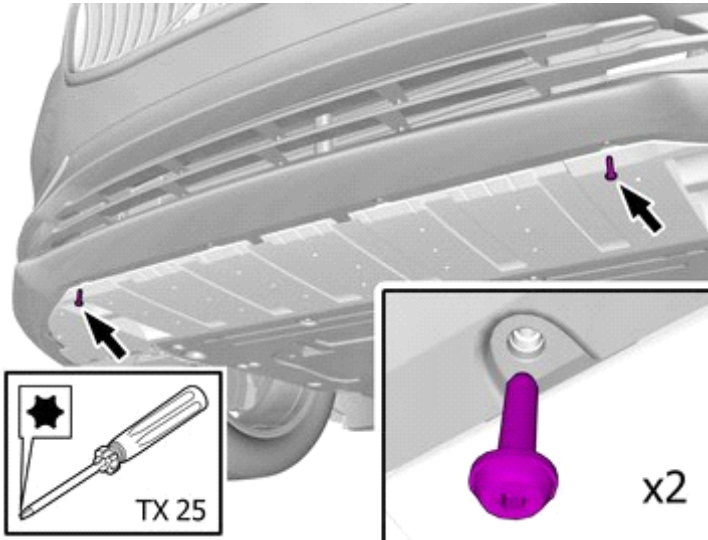
The removal steps may contain installation details.



# Installation instructions, accessories

Volvo Car Corporation Gothenburg, Sweden

9



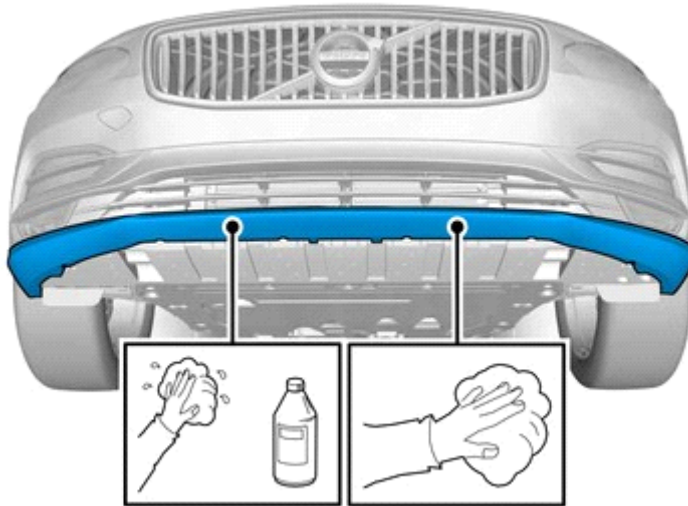
IMG-415832

Remove the screws.

The part is not to be reused.

## Accessory installation

10



IMG-415833

Clean the surface.

Wipe dry.

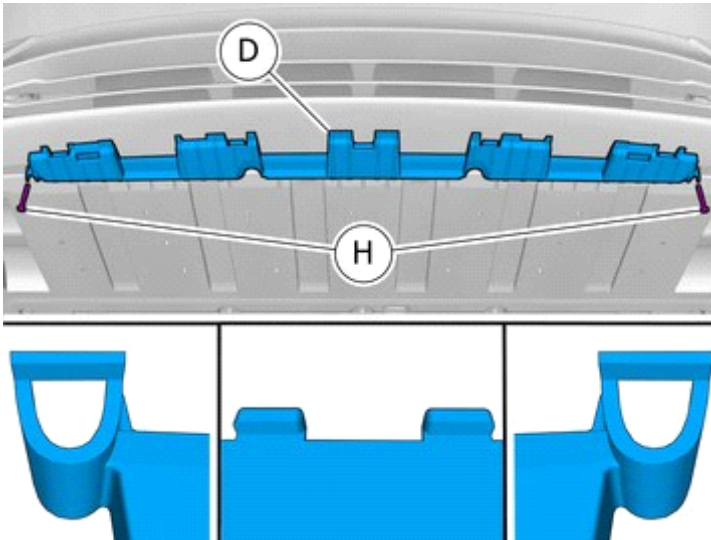
**Use:** 1161721, Isopropanol



# Installation instructions, accessories

Volvo Car Corporation Gothenburg, Sweden

11



IMG-415836

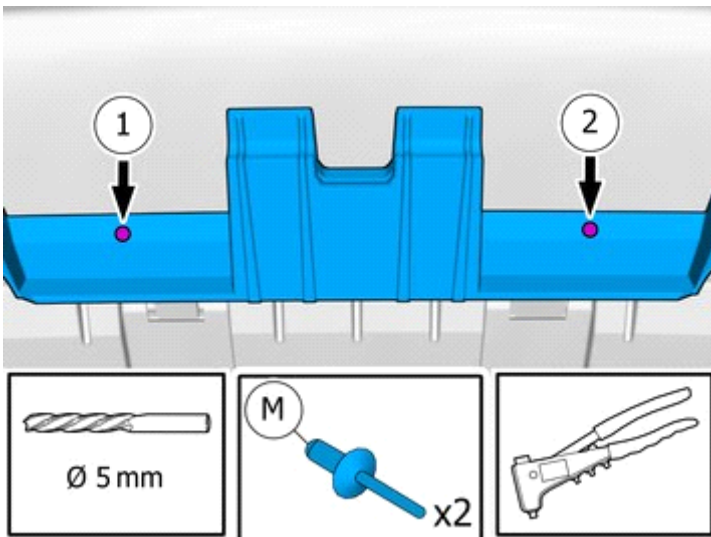
**Note!**

Note the position.

Install component that comes with the accessory kit.

Use hands only.

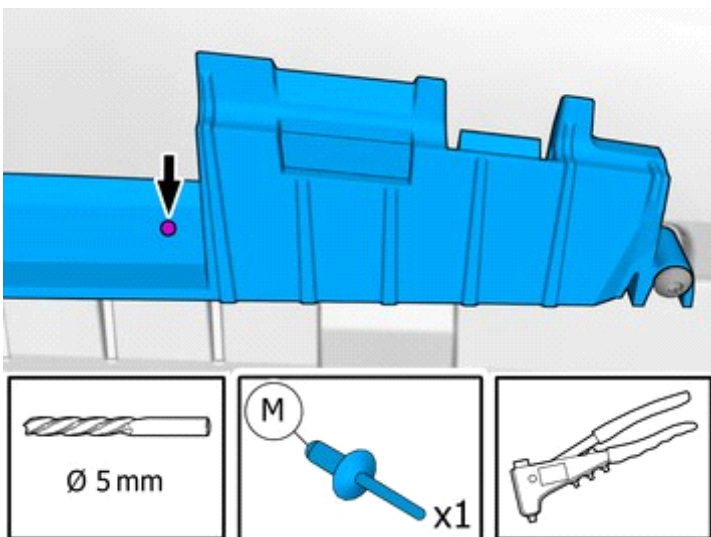
12



IMG-415845

Drill one hole and fit one pop rivet at a time, in accordance with the sequence illustrated.

13



IMG-415846

Drill one hole and fit one pop rivet at a time, in accordance with the sequence illustrated.

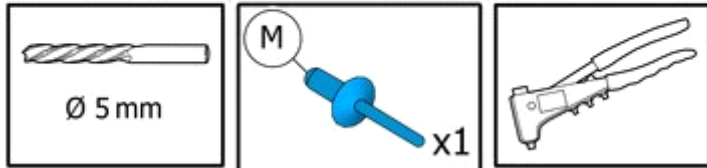
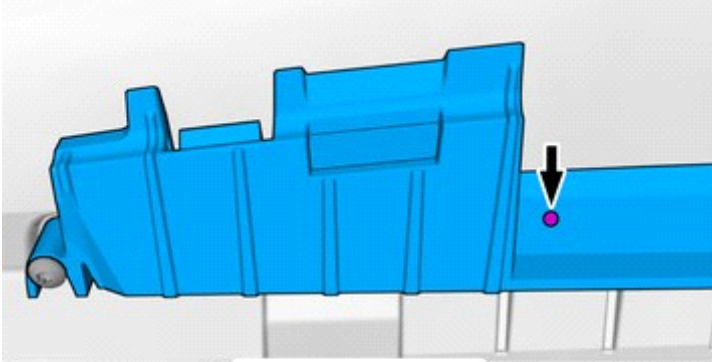




# Installation instructions, accessories

Volvo Car Corporation Gothenburg, Sweden

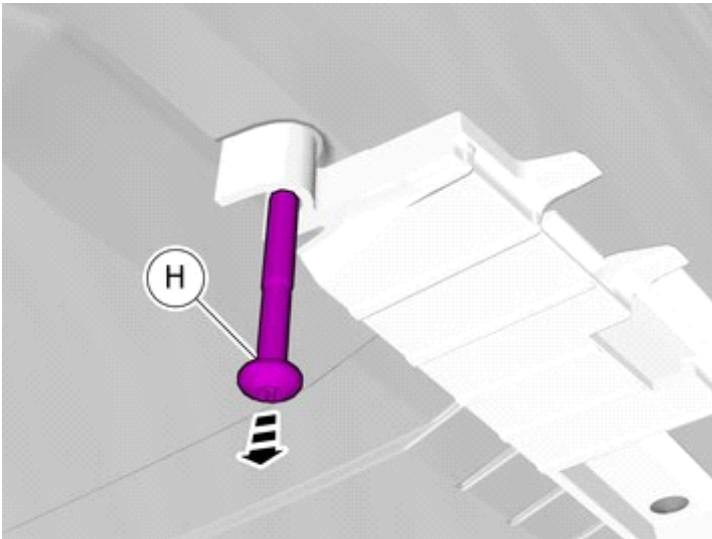
14



IMG-415847

Drill one hole and fit one pop rivet at a time, in accordance with the sequence illustrated.

15

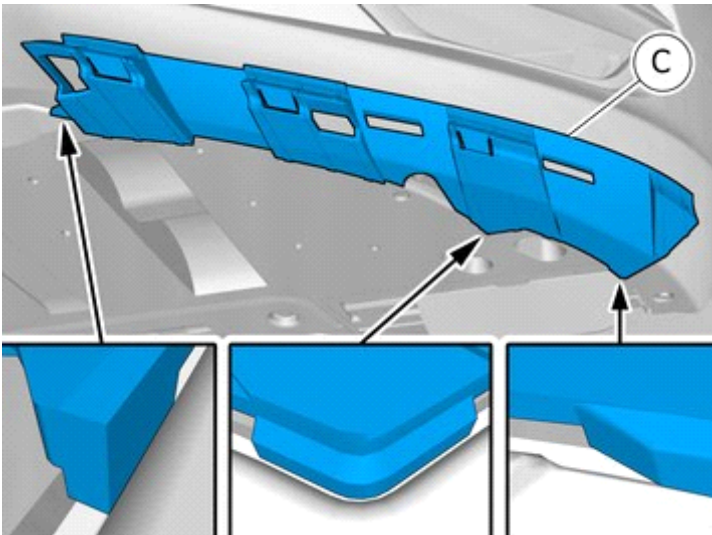


IMG-415850

Remove the screw.

Repeat on the other side.

16



IMG-415877

**Note!**  
Note the position.

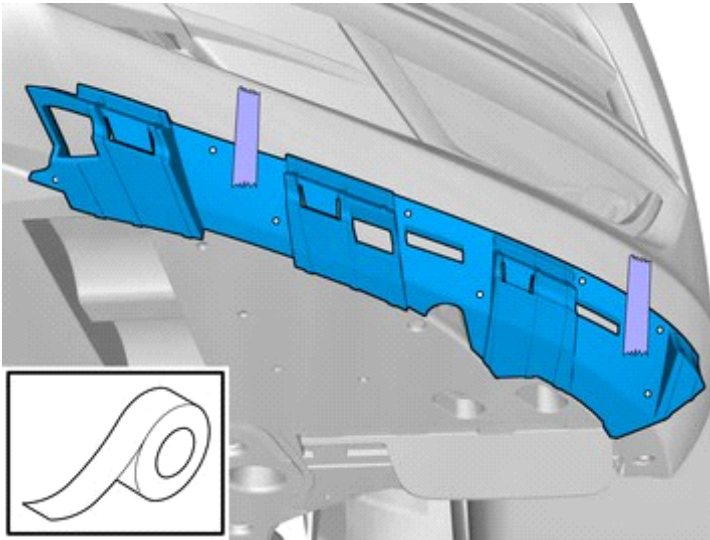
Install component that comes with the accessory kit.



# Installation instructions, accessories

Volvo Car Corporation Gothenburg, Sweden

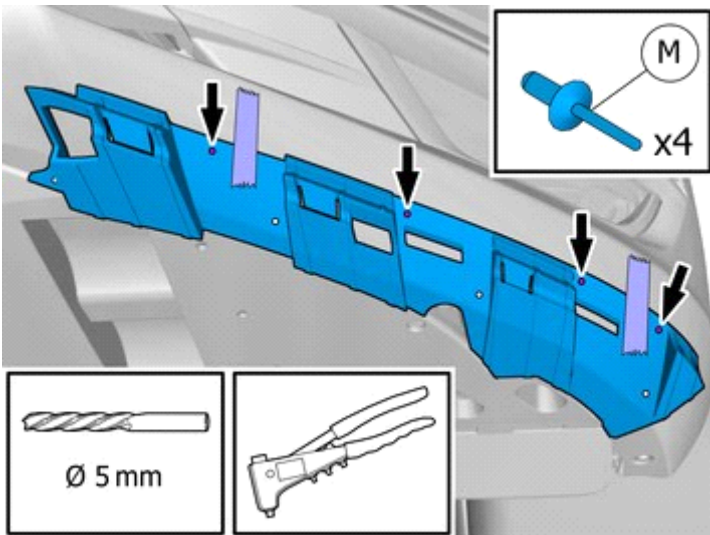
17



IMG-415878

Use tape

18



IMG-415879

Drill one hole and fit one pop rivet at a time, in accordance with the sequence illustrated.

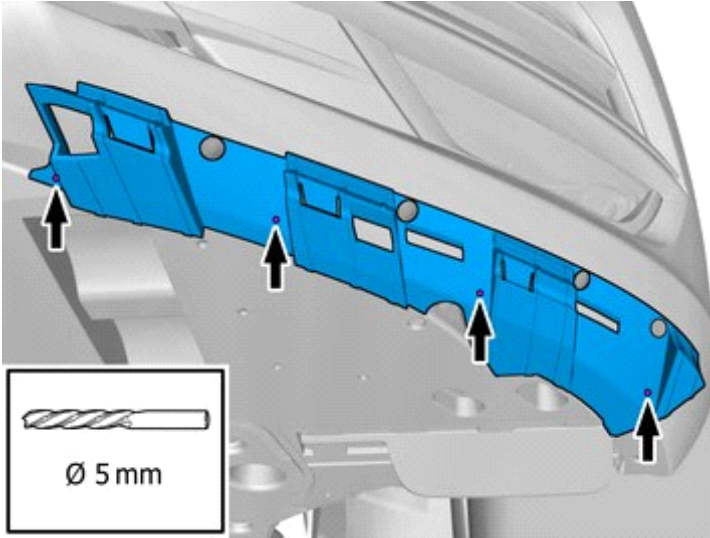
Remove the tape.



# Installation instructions, accessories

Volvo Car Corporation Gothenburg, Sweden

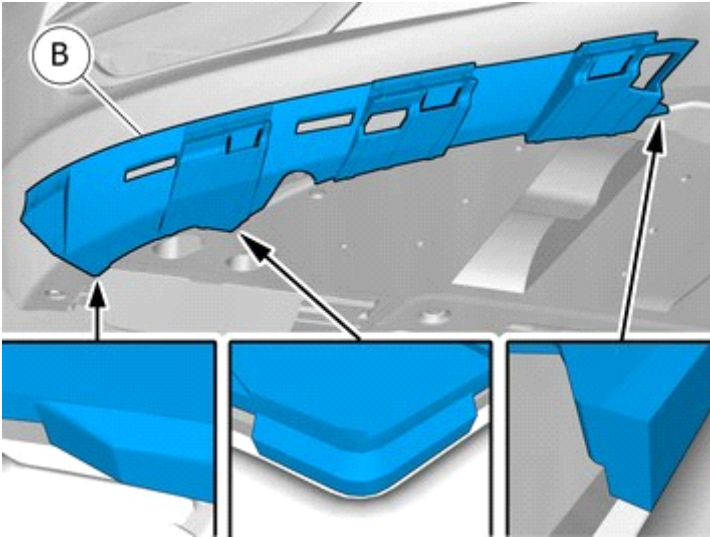
19



IMG-415880

Use a drill with the stated size

20



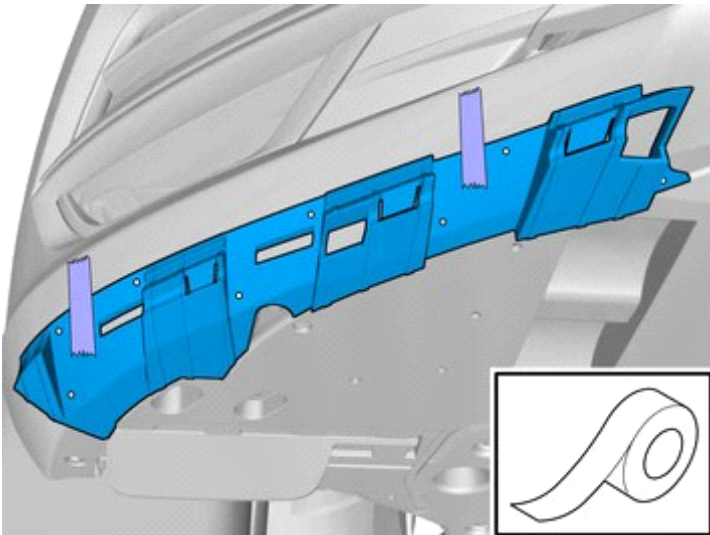
IMG-415966

**Note!**

Note the position.

Install component that comes with the accessory kit.

21



IMG-415967

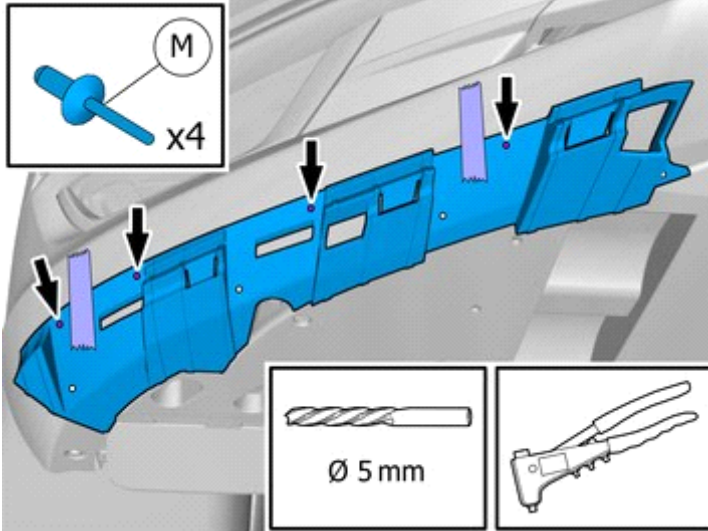
Use tape



# Installation instructions, accessories

Volvo Car Corporation Gothenburg, Sweden

22

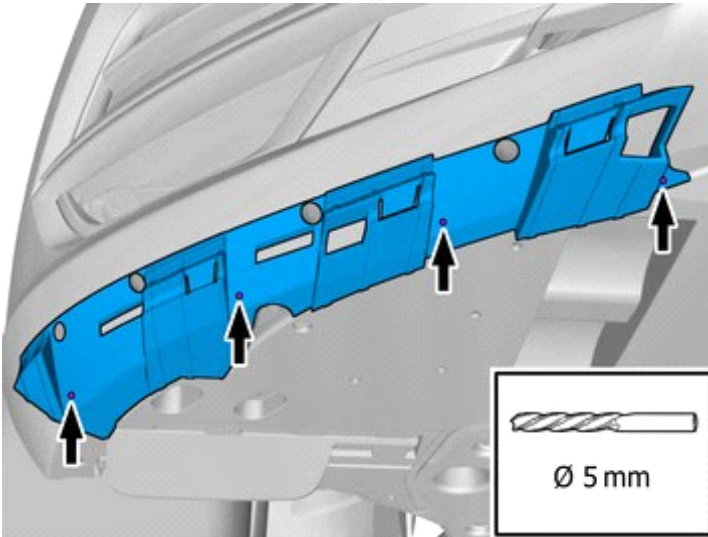


IMG-415968

Drill one hole and fit one pop rivet at a time, in accordance with the sequence illustrated.

Remove the tape.

23



IMG-415969

Use a drill with the stated size

**Removal**

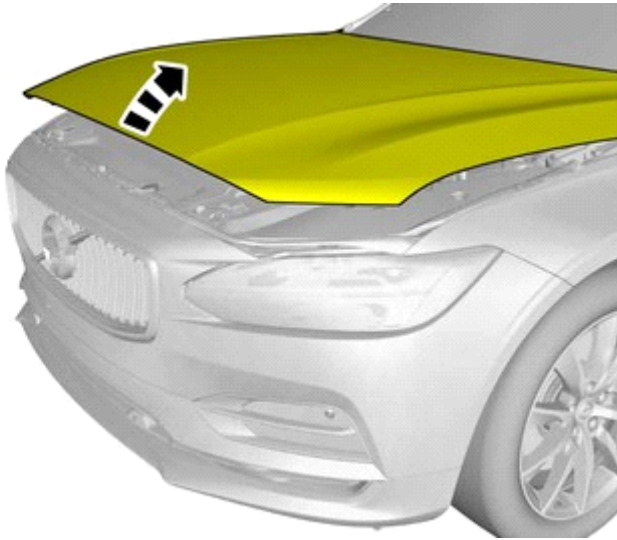




# Installation instructions, accessories

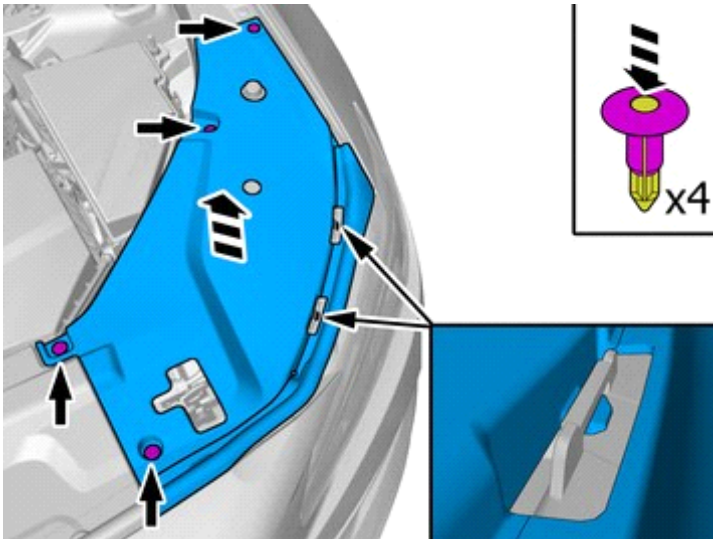
Volvo Car Corporation Gothenburg, Sweden

24



IMG-417690

25



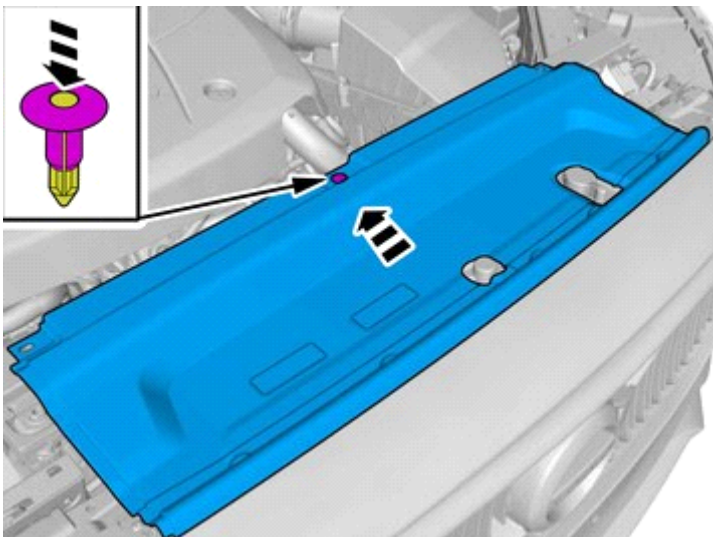
IMG-412677

Remove the clips.

Remove the marked part.

Repeat on the other side.

26



IMG-412680

Remove the clip.

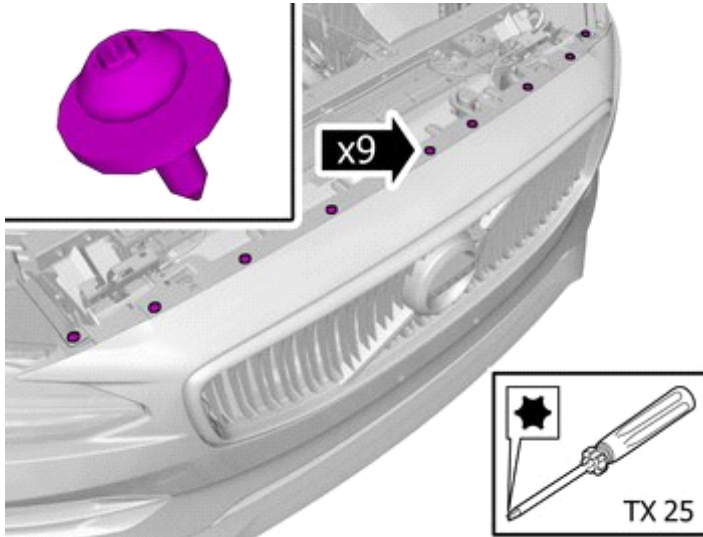
Remove the marked part.



# Installation instructions, accessories

Volvo Car Corporation Gothenburg, Sweden

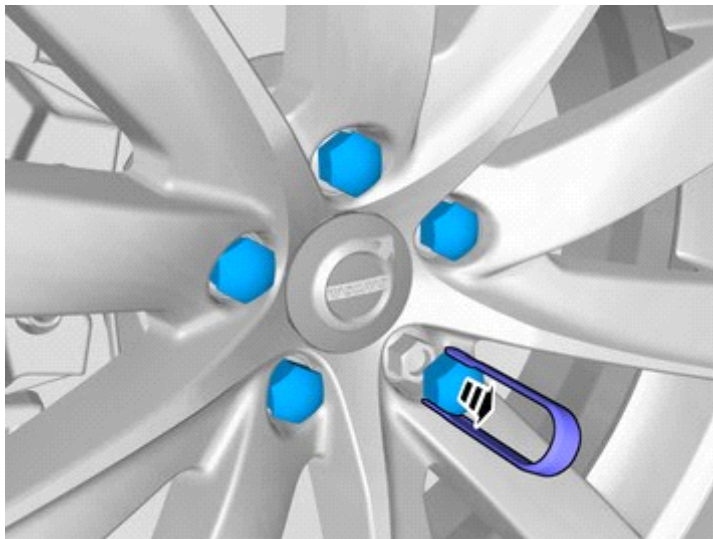
27



IMG-412681

Remove the screws.

28

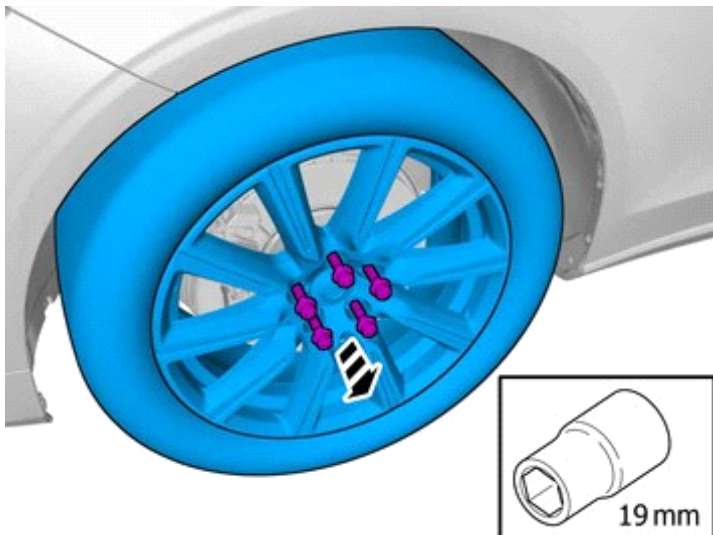


IMG-403425

Remove the marked part.

**Use:** Pliers

29



IMG-415975

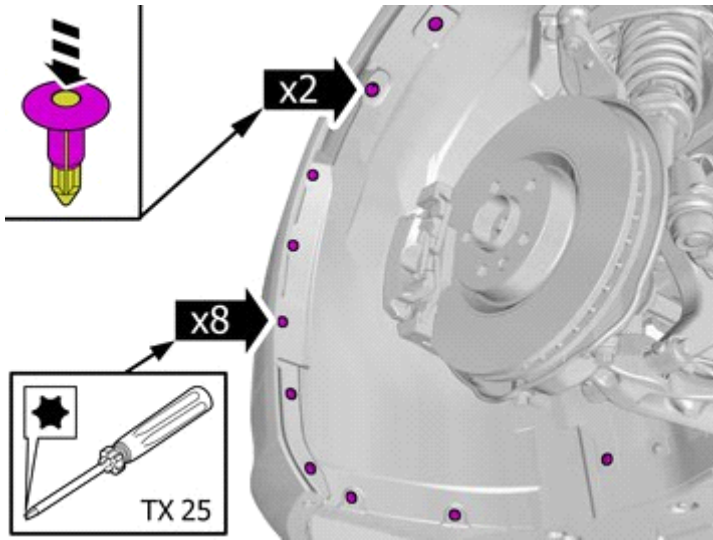
Remove the marked part.



# Installation instructions, accessories

Volvo Car Corporation Gothenburg, Sweden

30

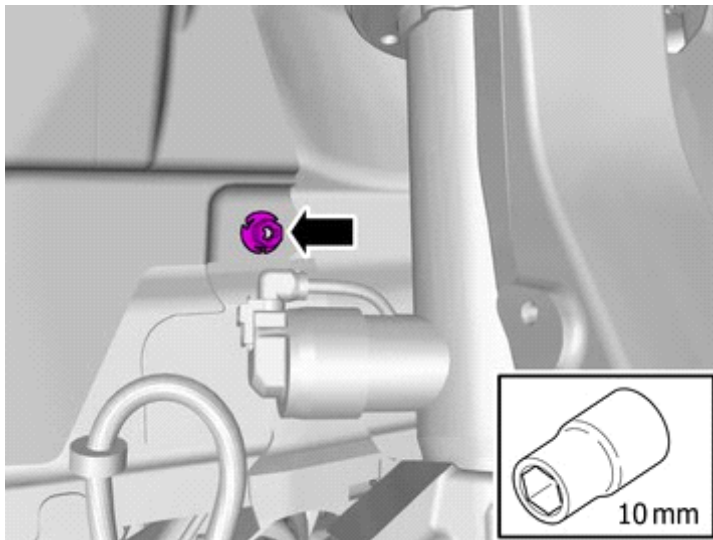


IMG-412692

Remove the clips.

Remove the screws.

31



IMG-412697

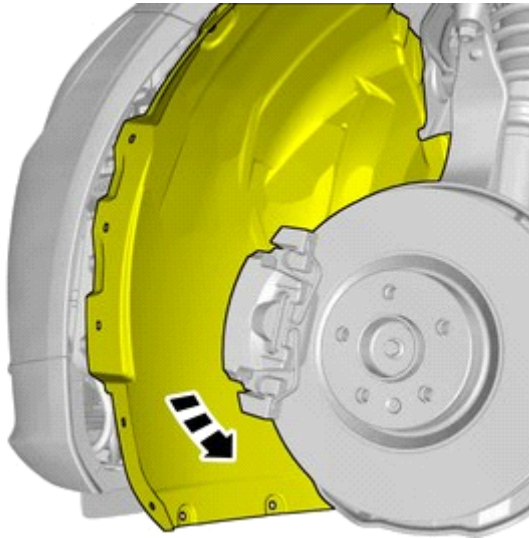
Remove the nut.



# Installation instructions, accessories

Volvo Car Corporation Gothenburg, Sweden

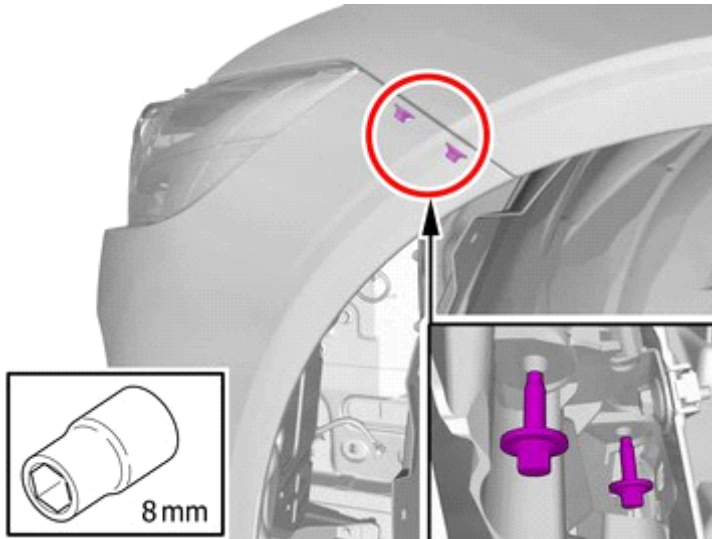
32



Fold the wing liner to one side.

IMG-412710

33



Remove the screws.

**Tightening torque:** Bracket to front fender , 6 Nm

IMG-412715

34

Repeat the steps when removing on opposite side.

**Vehicles with headlamp washers**

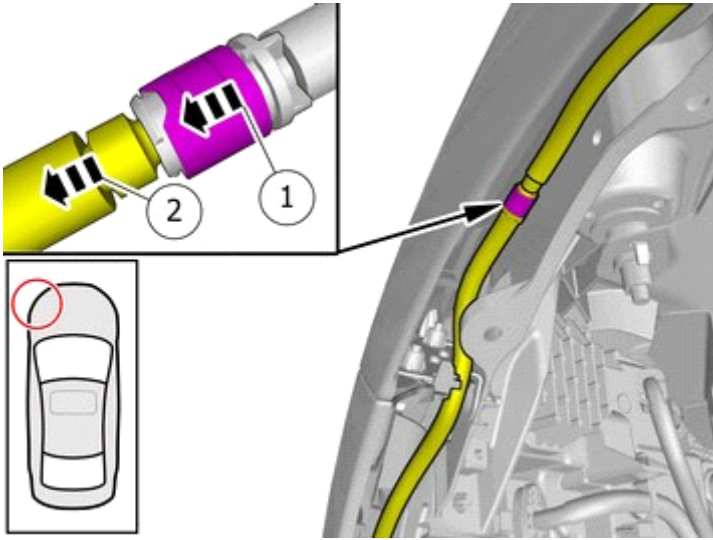




# Installation instructions, accessories

Volvo Car Corporation Gothenburg, Sweden

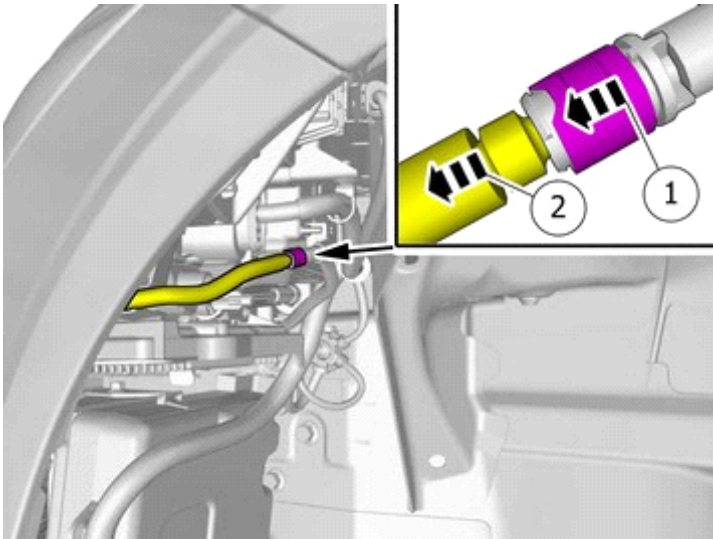
35



IMG-412745

- Release the lock.
- Undo the hose from the connection.

36



IMG-412750

- Release the lock.
  - Undo the hose from the connection.
- Repeat on the other side.

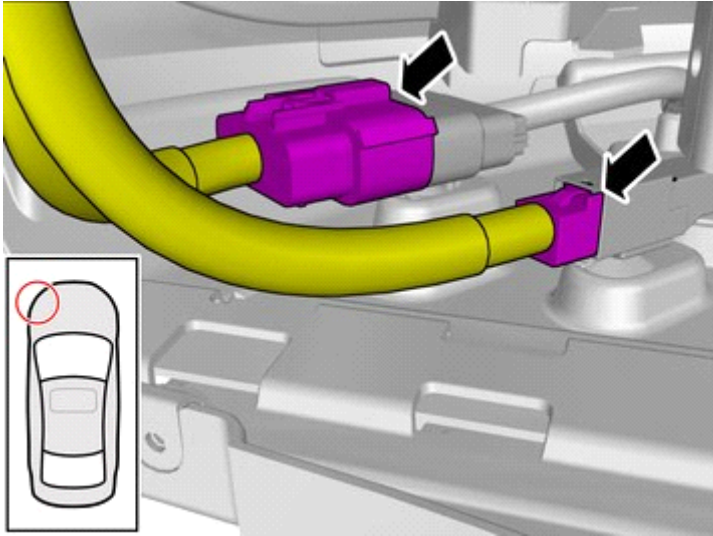
**All vehicles**



# Installation instructions, accessories

Volvo Car Corporation Gothenburg, Sweden

37



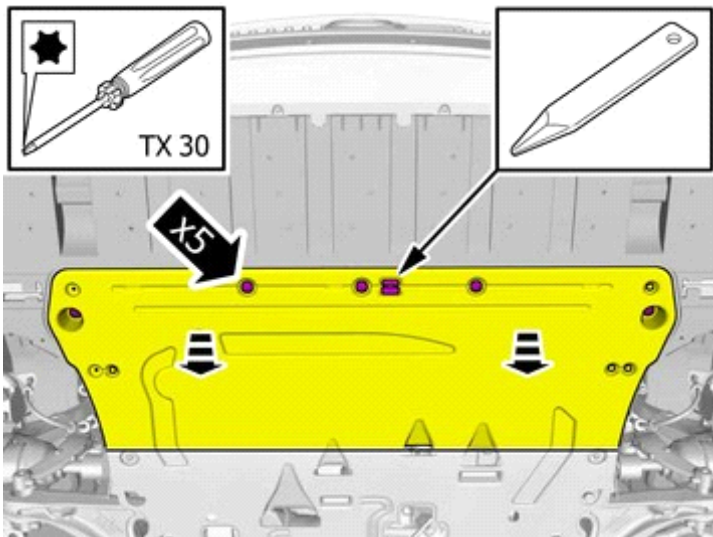
IMG-412730

**Caution!**

The number of connectors can vary depending on the vehicle's equipment level.

Disconnect the connectors.

38



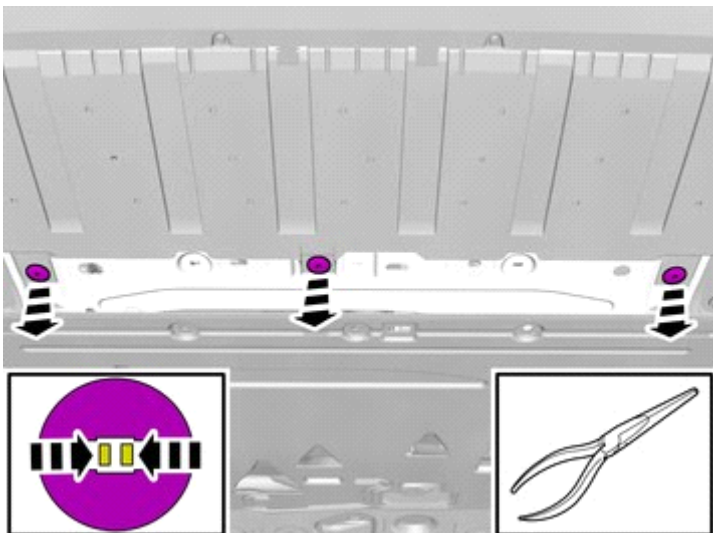
IMG-412779

Remove the screws.

Remove the clip.

Fold marked part to one side.

39



IMG-412725

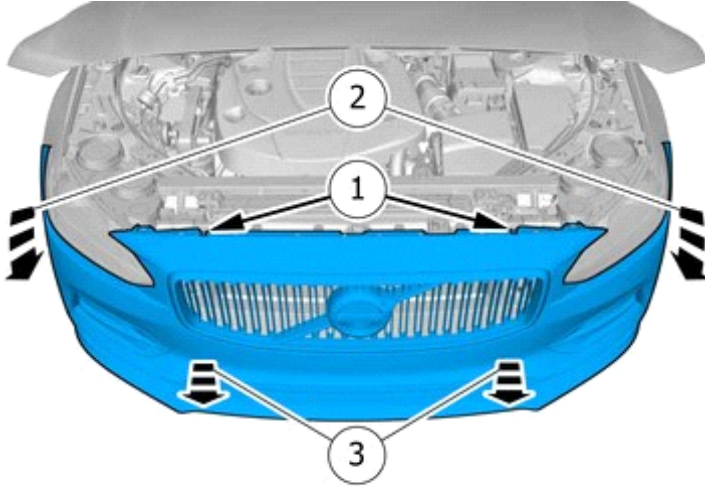
Remove the clips.



# Installation instructions, accessories

Volvo Car Corporation Gothenburg, Sweden

40



**Caution!**

Place the component on a suitable underlay or support.

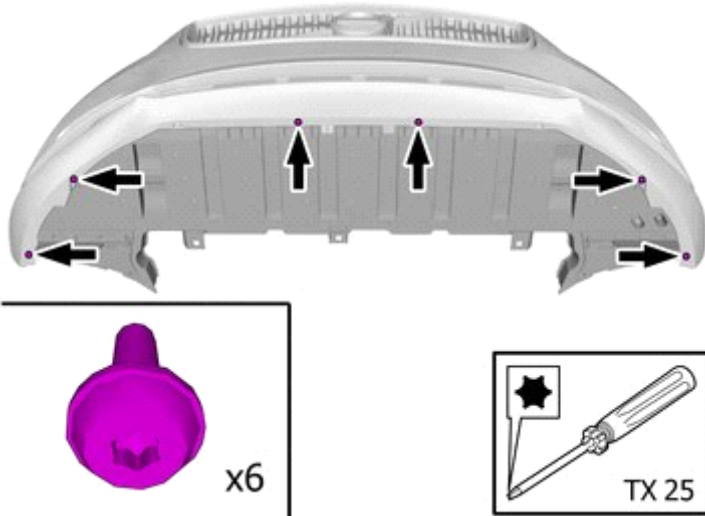
**Note!**

This step requires the aid of another technician.

- Release the catches.
- Remove the part carefully
- Remove the marked part.

IMG-412771

41

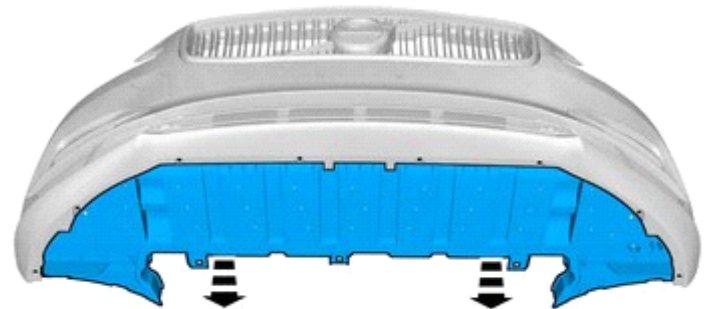


Remove the screws.

The part is not to be reused.

IMG-415982

42



Loosen the component indicated. Do not remove it.

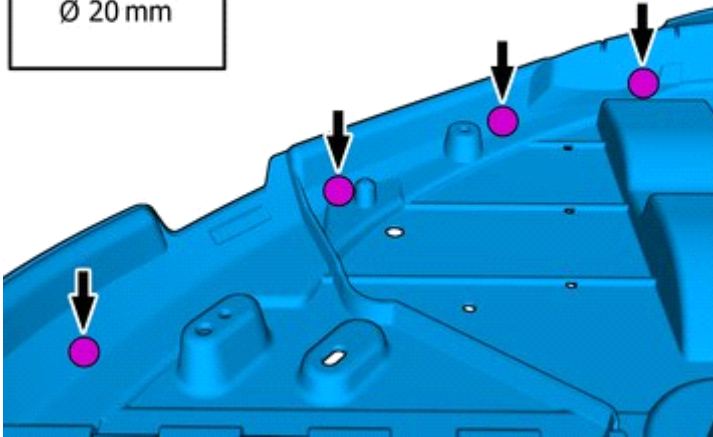
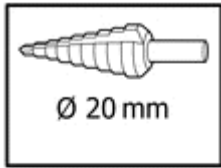
IMG-412673



# Installation instructions, accessories

Volvo Car Corporation Gothenburg, Sweden

43



IMG-415999

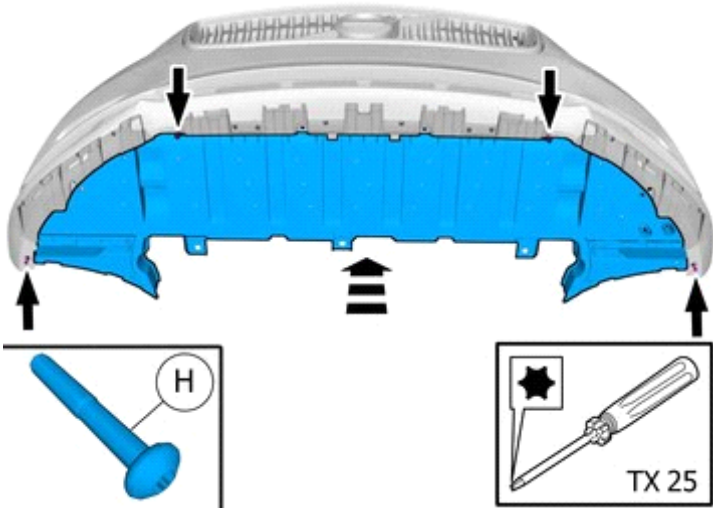
Use a drill with the stated size

Drill the holes.

Repeat on the other side.

## Installation

44



IMG-416003

Reinstall the removed part.

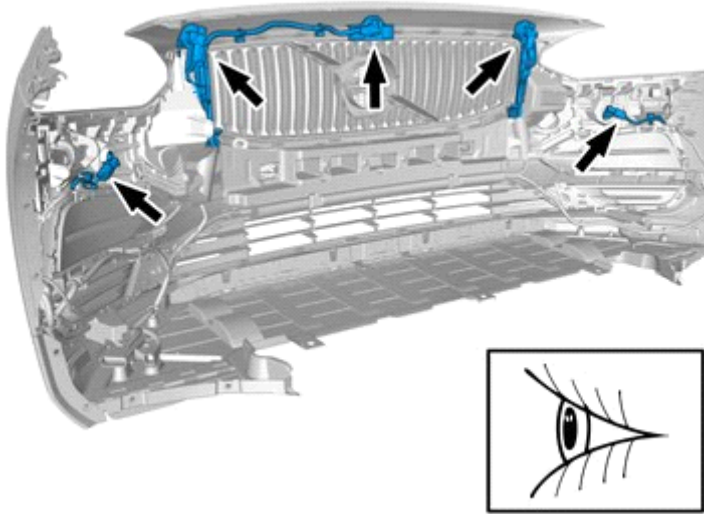
Install the screws.



# Installation instructions, accessories

Volvo Car Corporation Gothenburg, Sweden

45

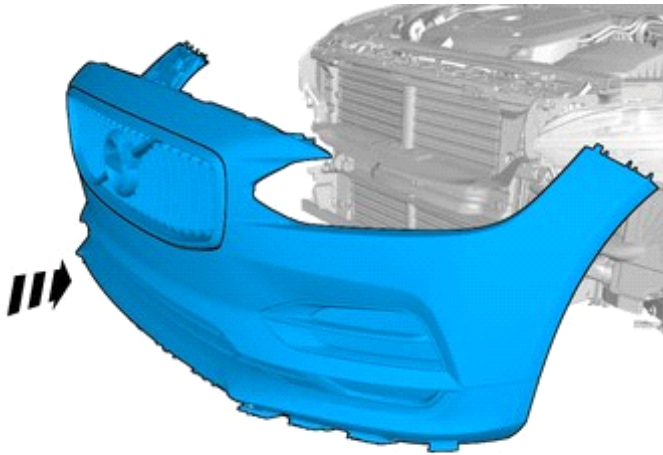


IMG-423240

**Note!**

Make sure that the pedestrian protection sensors are correctly and properly secured in their brackets and that the wiring and connectors show no signs of damage.

46



IMG-419443

**Note!**

This step requires the aid of another technician.

Reinstall the bumper.

47

Reinstall the removed parts in reverse order.

## Accessory installation

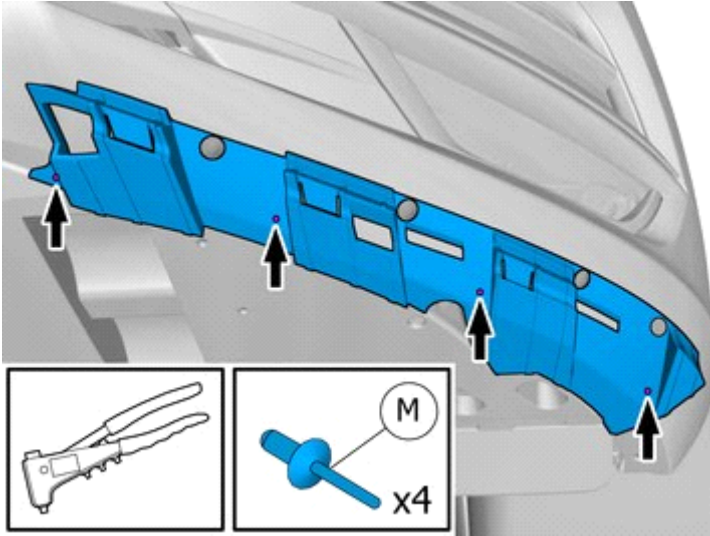




# Installation instructions, accessories

Volvo Car Corporation Gothenburg, Sweden

48

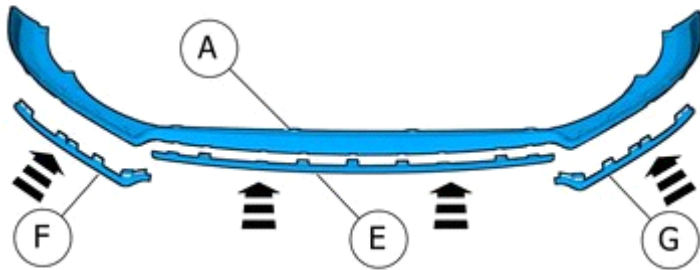


IMG-416004

Install component that comes with the accessory kit.

Repeat on the other side.

49



IMG-416041

Install component that comes with the accessory kit.

Ensure that all clips engage.

## Removal

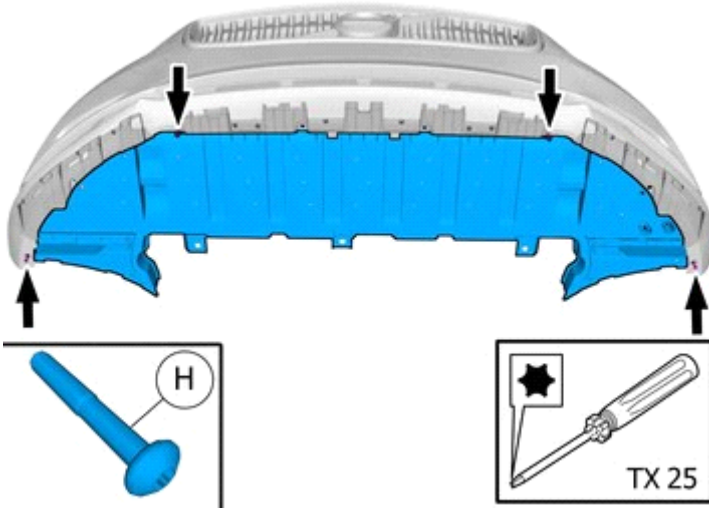


# Installation instructions, accessories

Volvo Car Corporation Gothenburg, Sweden

50

Remove the screws.



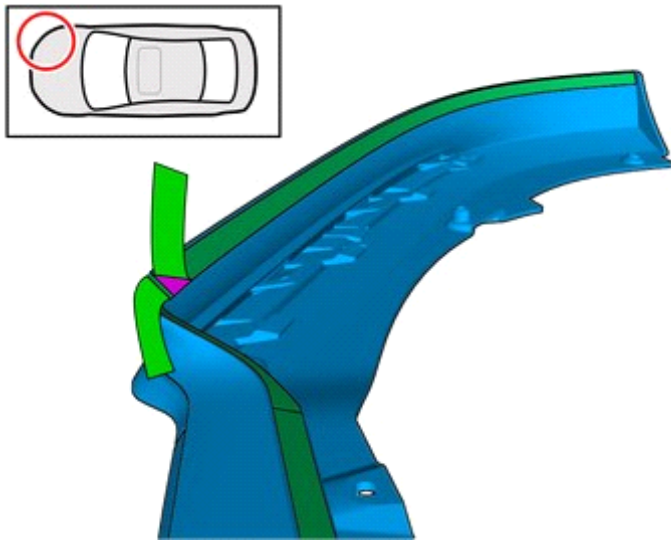
IMG-416085

---

## Accessory installation

51

Fold the protective film forward



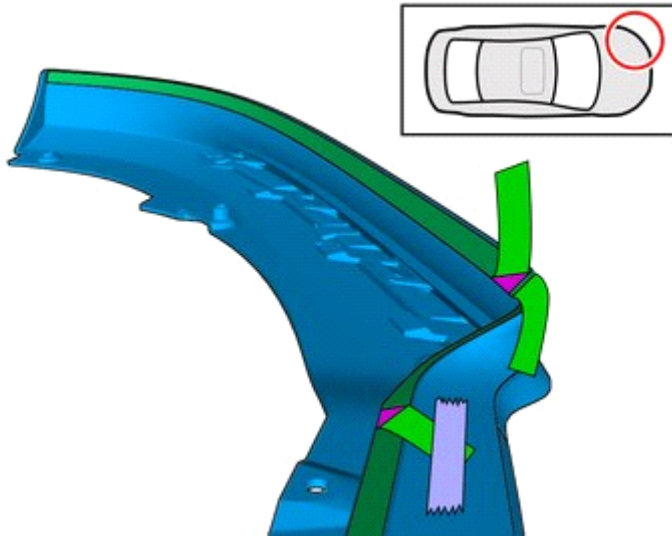
IMG-416130



# Installation instructions, accessories

Volvo Car Corporation Gothenburg, Sweden

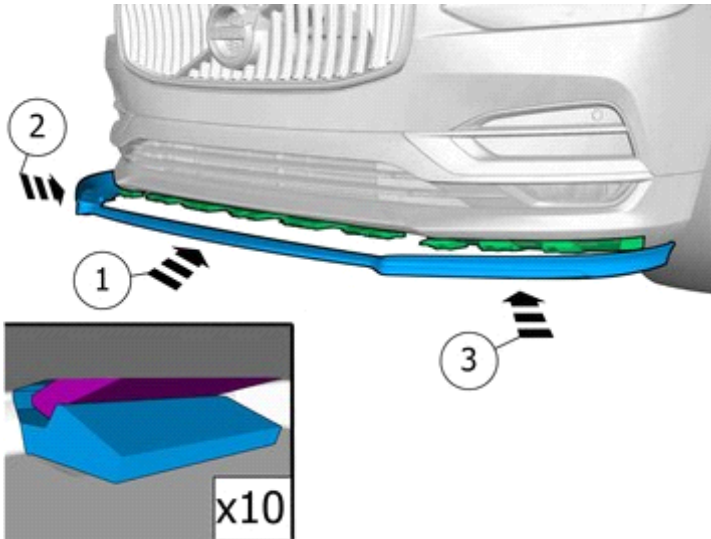
52



Fold the protective film forward

IMG-416153

53

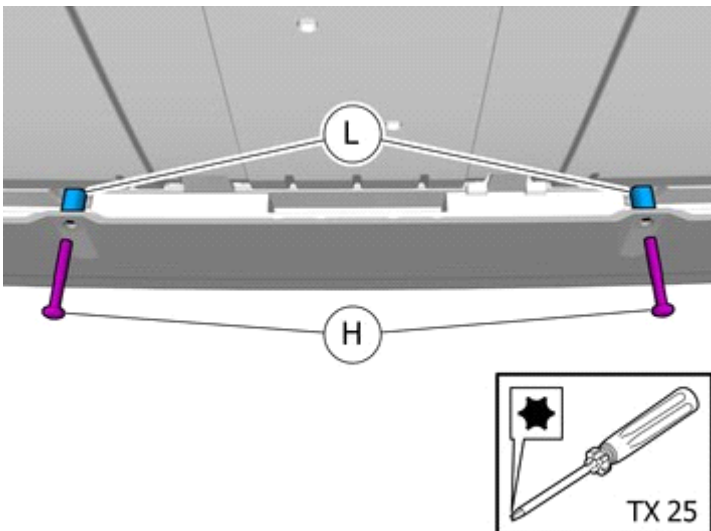


Install component that comes with the accessory kit.

Ensure that all clips engage.

IMG-416110

54



Install component that comes with the accessory kit.

IMG-416135

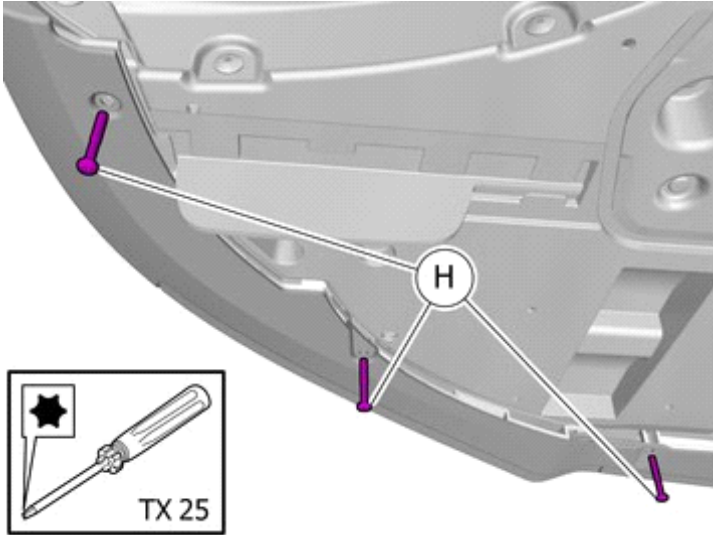




# Installation instructions, accessories

Volvo Car Corporation Gothenburg, Sweden

55

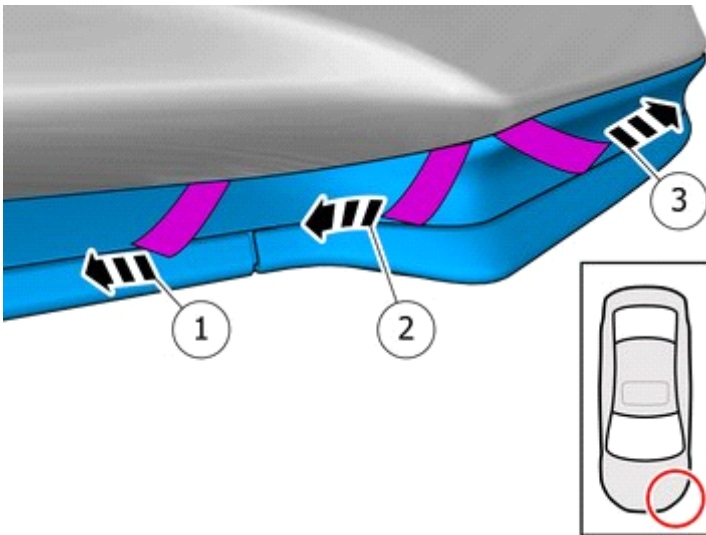


IMG-416136

Install component that comes with the accessory kit.

Repeat on the other side.

56



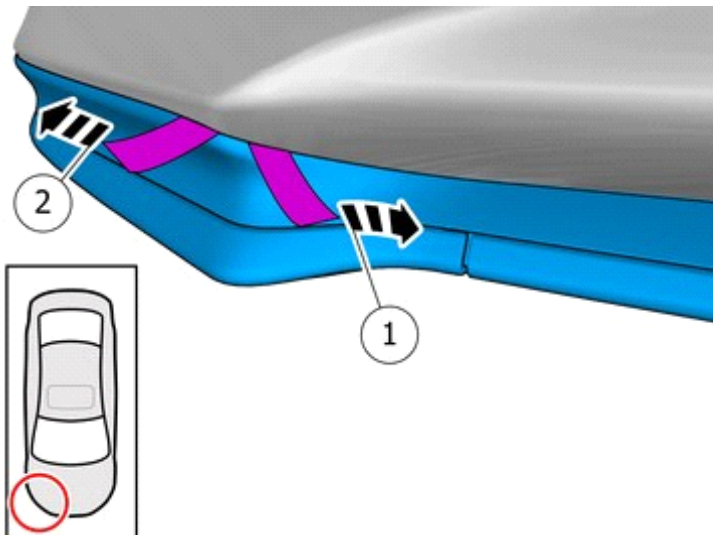
IMG-416138

**Caution!**  
Pull carefully.

**Note!**  
Note the position.

Remove the protective film.

57



IMG-416137

**Caution!**  
Pull carefully.

**Note!**  
Note the position.

Remove the protective film.



# Installation instructions, accessories

Volvo Car Corporation Gothenburg, Sweden

58



**Note!**

Press and apply pressure to the part over the tape for at least 20 seconds.

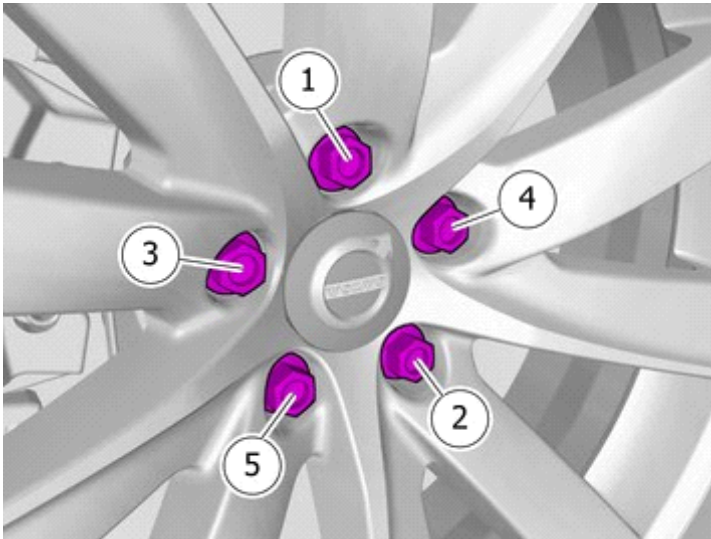
**Note!**

Ensure that the tape is fixed to the surface.

IMG-419861

## Installation

59



IMG-405228

**Note!**

Make sure to follow the sequence indicated.

**Tightening torque:** Aluminum wheel rim to wheel hub

Stage 1: 4 Nm

Stage 2: 50 Nm

Stage 3: 140 Nm